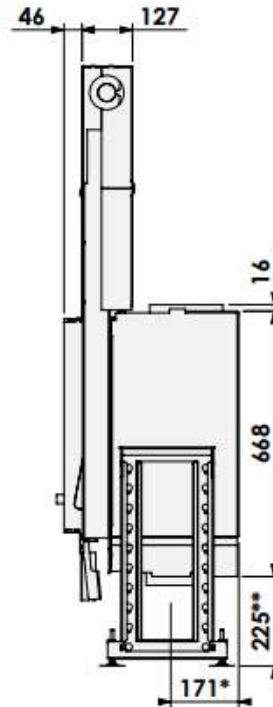
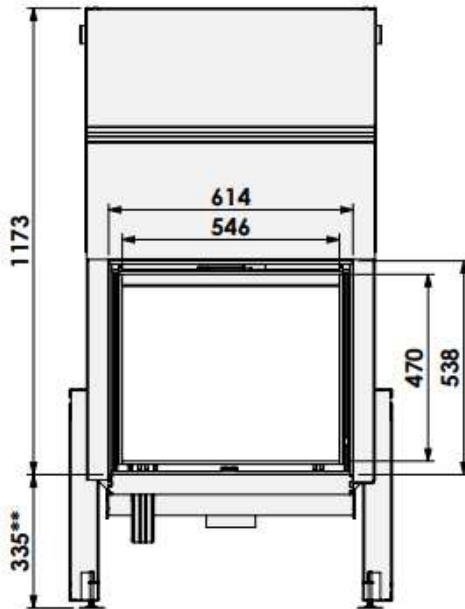
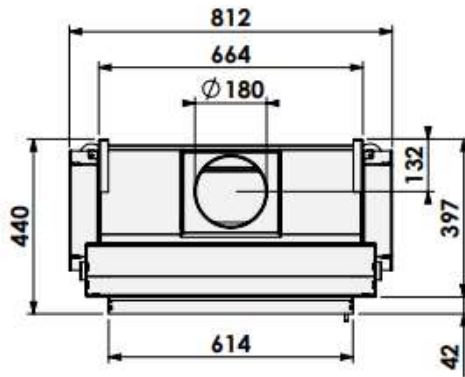




HUIS & HAARD

haarden & kachels



* = air inlet $\varnothing 125$ mm

** = extended adjustable legs, max +150 mm

barbas

Barbas Bellfires B.V.
Hallenstraat 17
5531 AB Bladel
The Netherlands
www.barbasbellfires.com

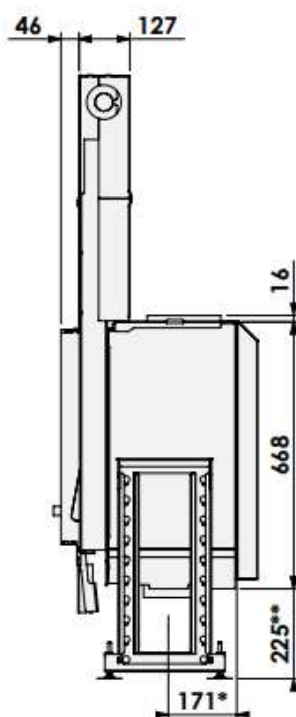
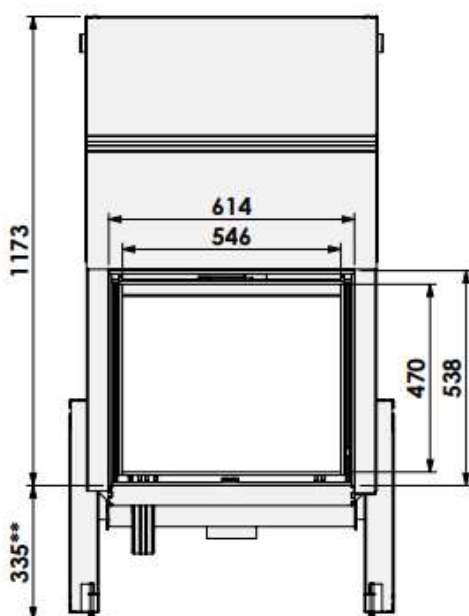
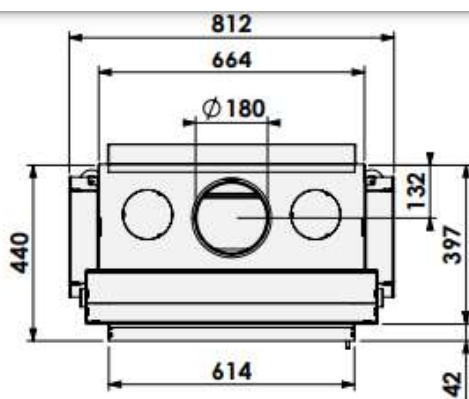
Evo-7 compact 55-45

Modifications reserved



1:15
mm

0



convectie
convection casing

* = air inlet \varnothing 125 mm

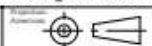
** = extended adjustable legs, max +150 mm

barbas

Barbas Bellfires B.V.
Hallenstraat 17
5631 AB Bladel
The Netherlands
www.barbasbellfires.com

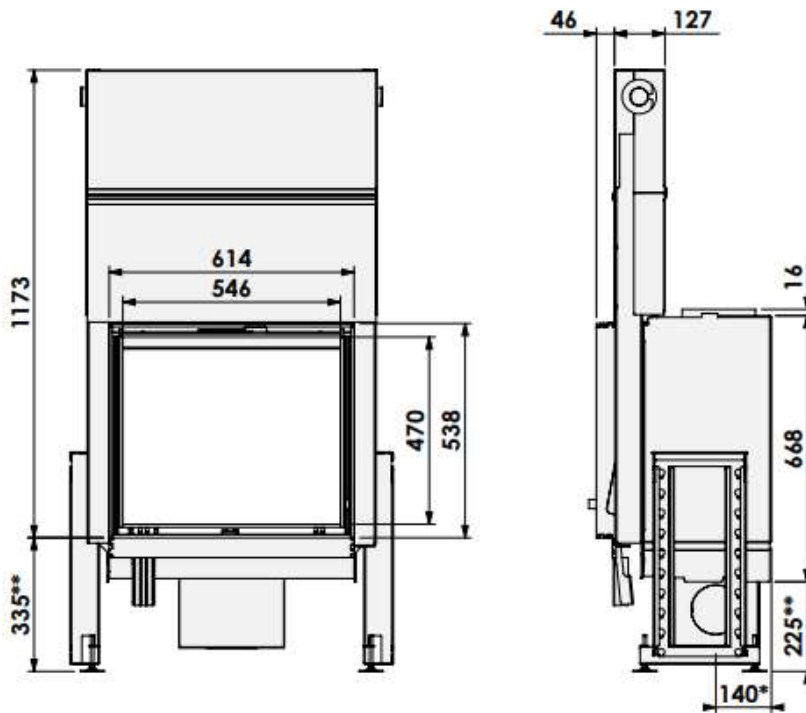
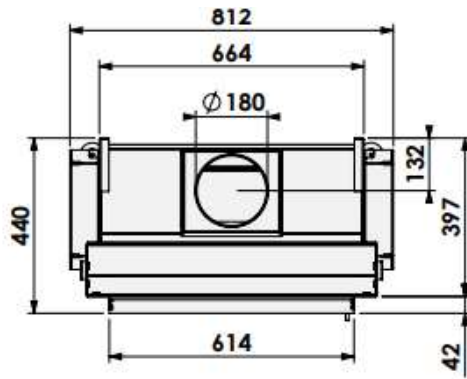
Evo-7 compact 55-45

Modifications reserved



1:15
mm

0



luchtbox
airbox

* = optional air inlet \varnothing 125 mm

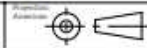
** = extended adjustable legs, max +150 mm

barbas

Barbas Bellfires B.V.
Hallenstraat 17
5531 AB Bladel
The Netherlands
www.barbasbellfires.com

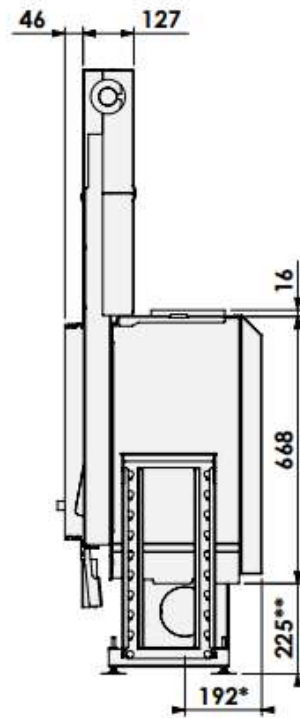
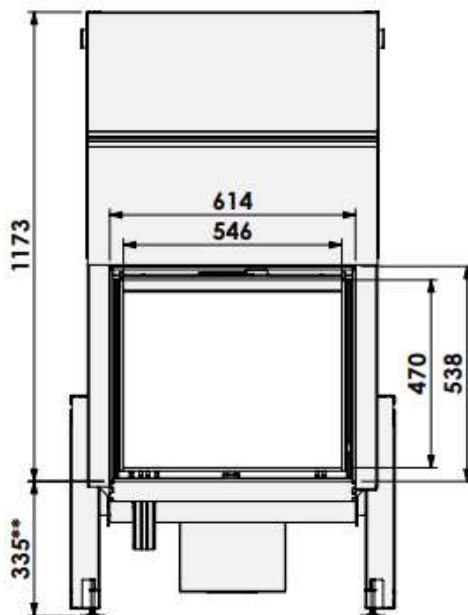
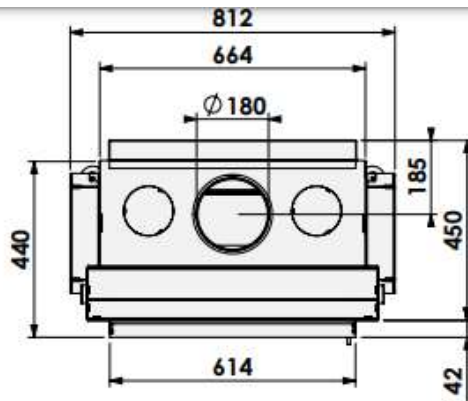
Evo-7 compact 55-45

Modifications reserved



1:15
mm

0



luchtbox, convectie
airbox, convection casing

* = optional air inlet \varnothing 125 mm

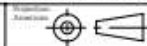
** = extended adjustable legs, max +150 mm

barbas

Barbas Bellfires B.V.
Hallenstraat 17
5531 AB Bladel
The Netherlands
www.barbasbellfires.com

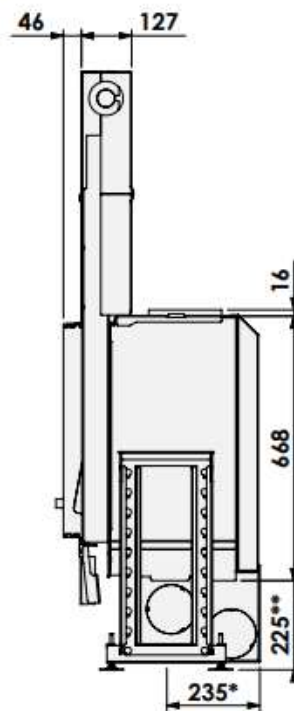
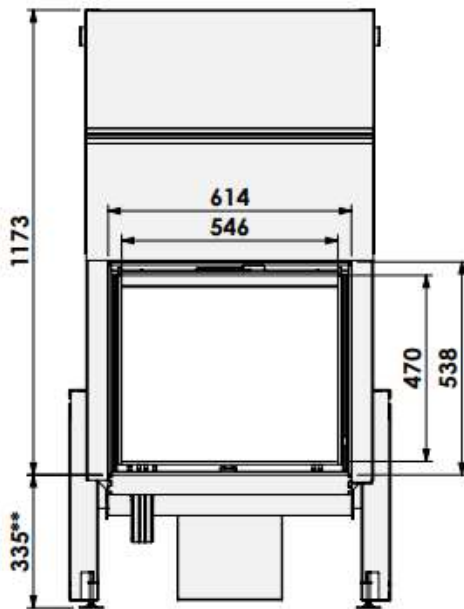
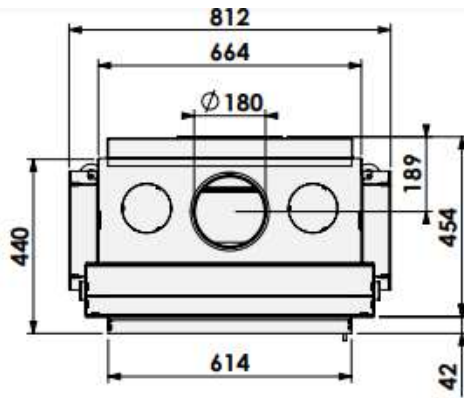
Evo-7 compact 55-45

Modifications reserved



Scale: 1:15
Unit: mm

Page: 0



luchtbox, convectie
airbox, convection casing

* = optional air inlet \varnothing 125 mm

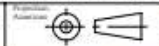
** = extended adjustable legs, max +150 mm

barbas

Barbas Bellfires B.V.
Hallenstraat 17
5531 AB Bladel
The Netherlands
www.barbasbellfires.com

Evo-7 compact 55-45

Modifications reserved



1:15
mm

0