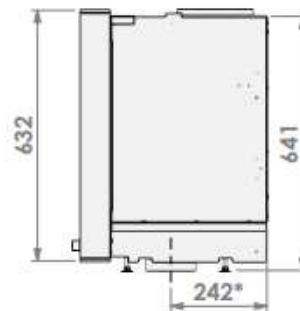
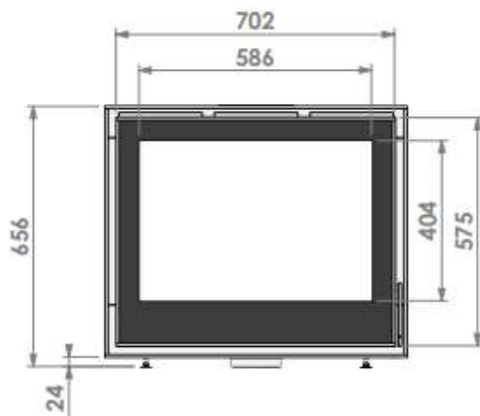
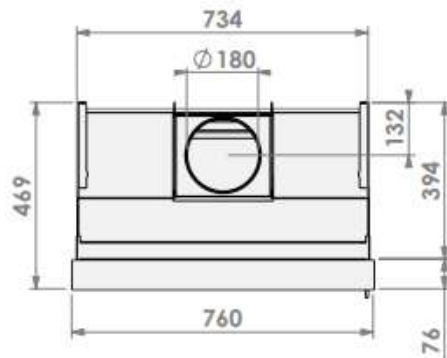




# HUIS & HAARD

haarden & kachels



inbouw, opbouw kader  
built-in, surface-mounted frame

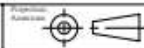
\* = air inlet Ø 125 mm

**barbas**

Barbas Bellfires B.V.  
Hallenstraat 17  
5531 AB Bladel  
The Netherlands  
www.barbasbellfires.com

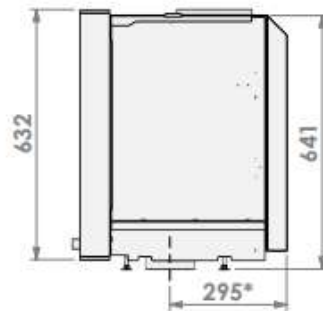
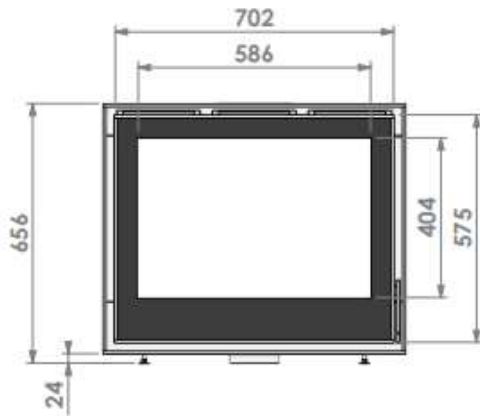
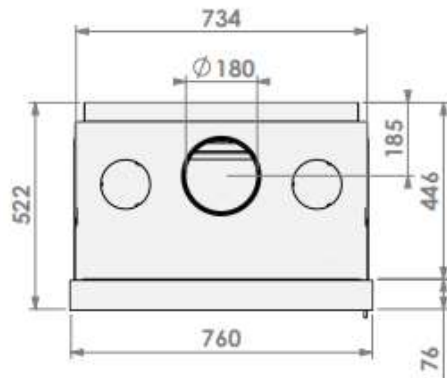
Cuatro-7 75-60

Modifications reserved



1:15  
mm

0



inbouw, opbouw kader, convectie  
 built-in, surface-mounted frame, convection casing

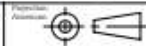
\* = air inlet  $\varnothing$  125 mm

**barbas**

Barbas Bellfires B.V.  
 Hallenstraat 17  
 5531 AB Bladel  
 The Netherlands  
 www.barbasbellfires.com

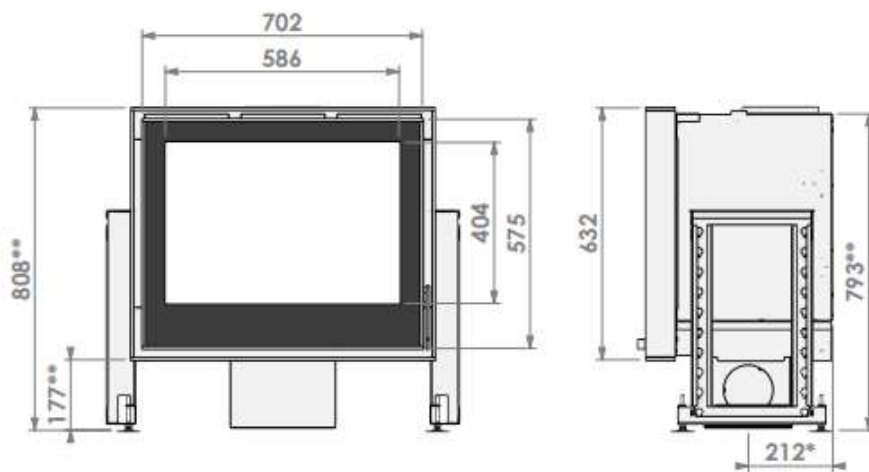
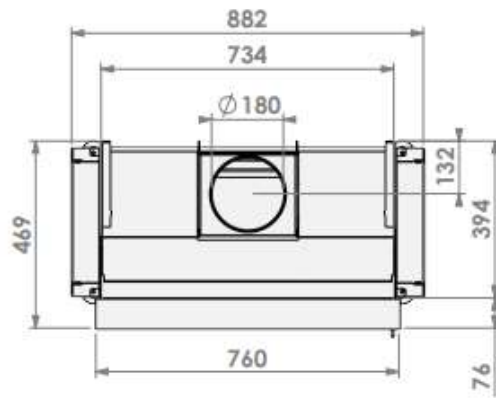
Cuatro-7 75-60

Modifications reserved



1:15  
 mm

0



inbouw, opbouw kader, luchtbox  
 built-in, surface-mounted frame, airbox

\* = optional air inlet  $\varnothing$ 125 mm

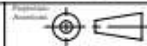
\*\* = optional extended adjustable legs, max +150 mm

**barbas**

Barbas Bellfires B.V.  
 Hellenstraat 17  
 5531 AB Bladel  
 The Netherlands  
 www.barbasbellfires.com

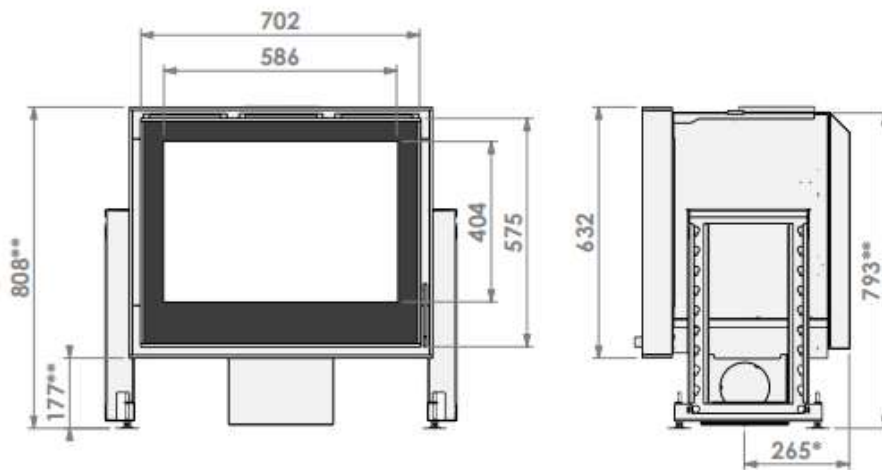
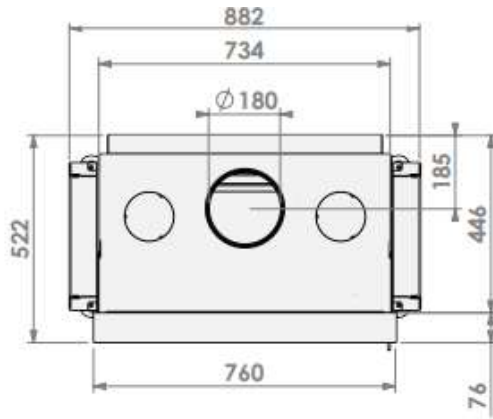
Cuatro-7 75-60

Modifications reserved



1:15  
 mm

0



inbouw, opbouw kader, luchtbox, convectie  
 built-in, surface-mounted frame, airbox, convection casing

\* = optional air inlet Ø125 mm

\*\* = optional extended adjustable legs, max +150 mm

**barbas**

Barbas Bellfires B.V.  
 Hallenstraat 17  
 5531 AB Bladel  
 The Netherlands  
 www.barbasbellfires.com

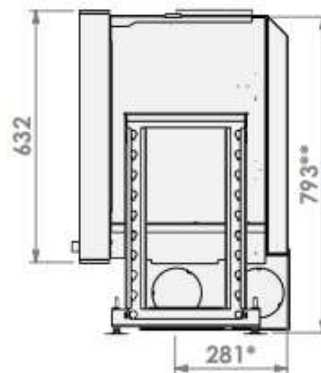
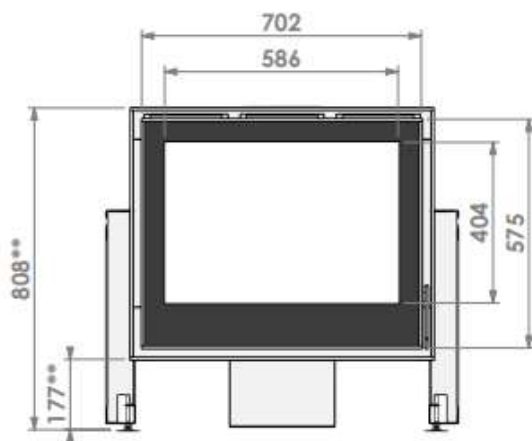
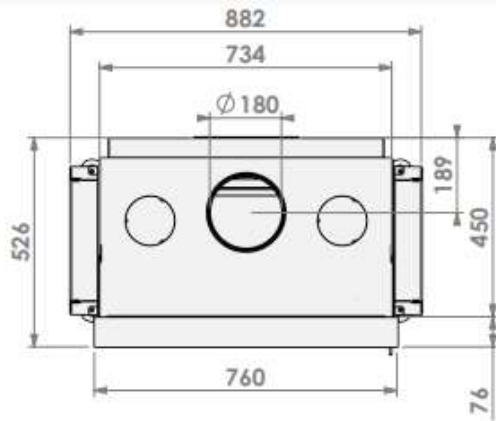
Cuatro-7 75-60

Modifications reserved



1:15  
 mm

0



inbouw, opbouw kader, Opti-Air en/of ventilator  
 built-in, surface-mounted frame, Opti-Air and/or fan

\* = optional air inlet  $\varnothing$  125 mm

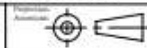
\*\* = optional extended adjustable legs, max +150 mm

**barbas**

Barbas Bellfires B.V.  
 Hallenstraat 17  
 5531 AB Bladel  
 The Netherlands  
 www.barbasbellfires.com

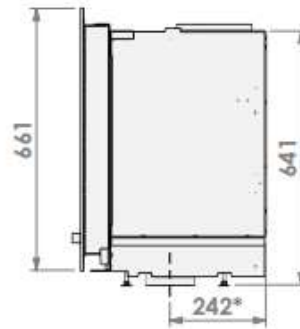
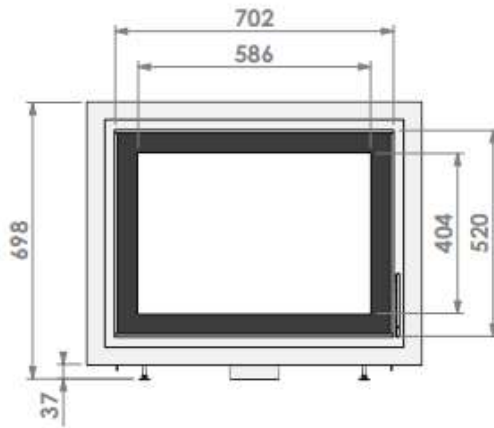
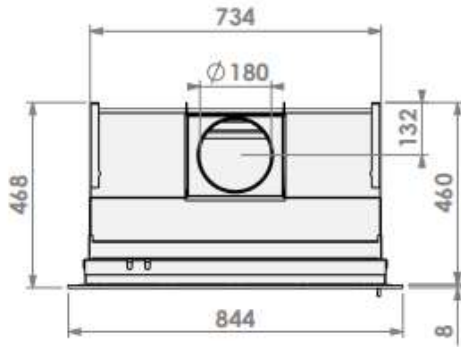
Cuatro-7 75-60

Modifications reserved



1:15  
mm

0



inbouw, klassiek kader  
 built-in, classic frame

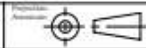
\* = air inlet  $\varnothing$ 125 mm

**barbas**

Barbas Bellfires B.V.  
 Hallenstraat 17  
 5531 AB Bladel  
 The Netherlands  
 www.barbasbellfire.com

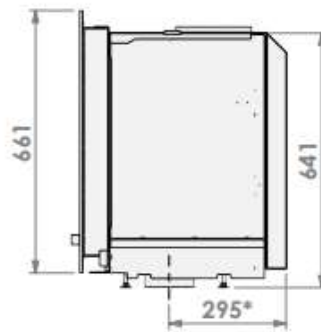
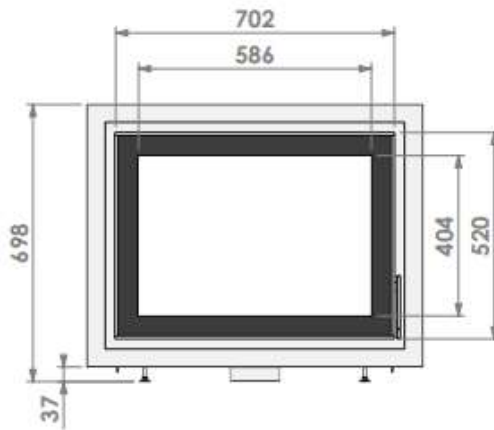
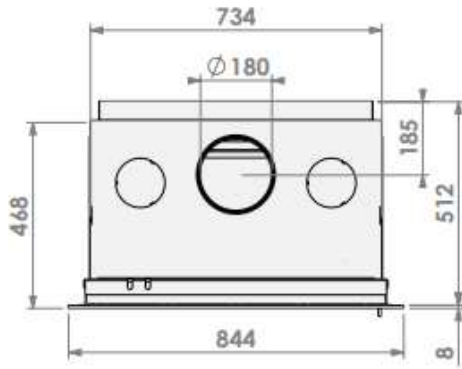
Cuatro-7 75-60

Modifications reserved



1:15  
 mm

0



inbouw, klassiek kader, convectie  
 built-in, classic frame, convection casing

\* = air inlet  $\varnothing$ 125 mm

**barbas**  
 Barbas Bellfires B.V.  
 Hallenstraat 17  
 5531 AB Bladel  
 The Netherlands  
 www.barbasbellfires.com

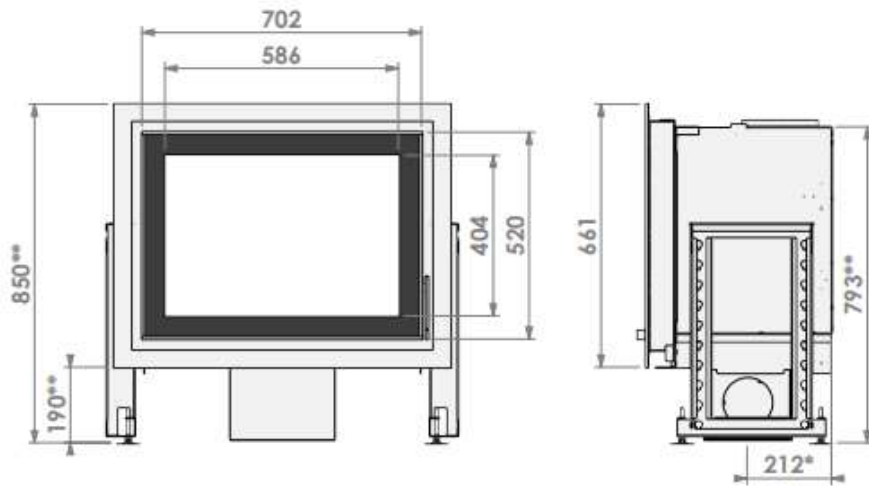
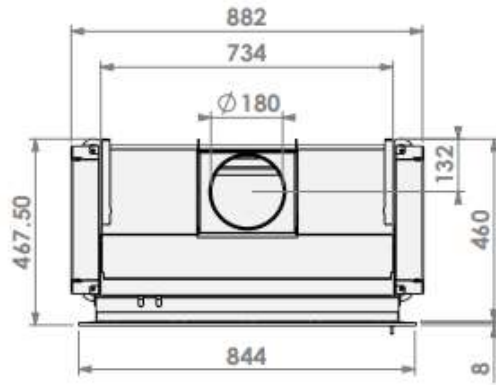
Cuatro-7 75-60

Modifications reserved



Scale: 1:15  
 Unit: mm

0



inbouw, klassiek kader, luchtbox  
 built-in, classic frame, airbox

\* = optional air inlet  $\varnothing$ 125 mm

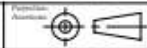
\*\* = optional extended adjustable legs, max +150 mm

**barbas**

Barbas Bellfires B.V.  
 Hallenstraat 17  
 5531 AB Bladel  
 The Netherlands  
 www.barbasbellfires.com

Cuatro-7 75-60

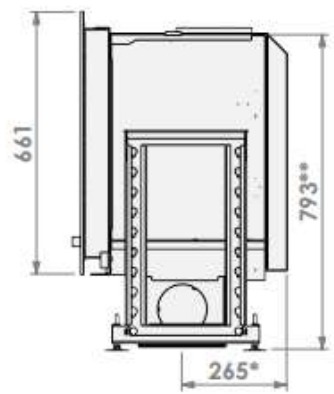
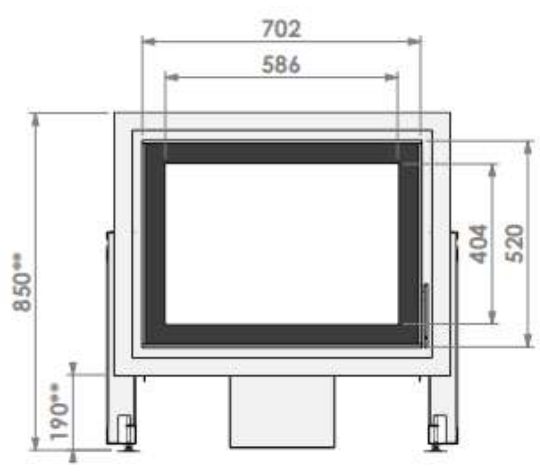
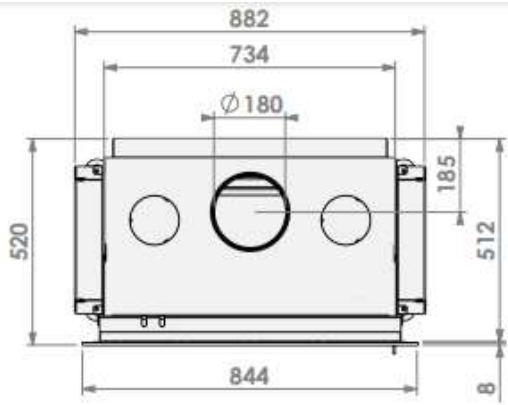
Modifications reserved



1:15  
 mm

0





inbouw, klassiek kader, luchtbox, convectie  
 built-in, classic frame, airbox, convection casing

\* = optional air inlet  $\varnothing$  125 mm

\*\* = optional extended adjustable legs, max +150 mm

**barbas**  
 Barbas Bellfires B.V.  
 Hallenstraat 17  
 5531 AB Bladel  
 The Netherlands  
 www.barbasbellfires.com

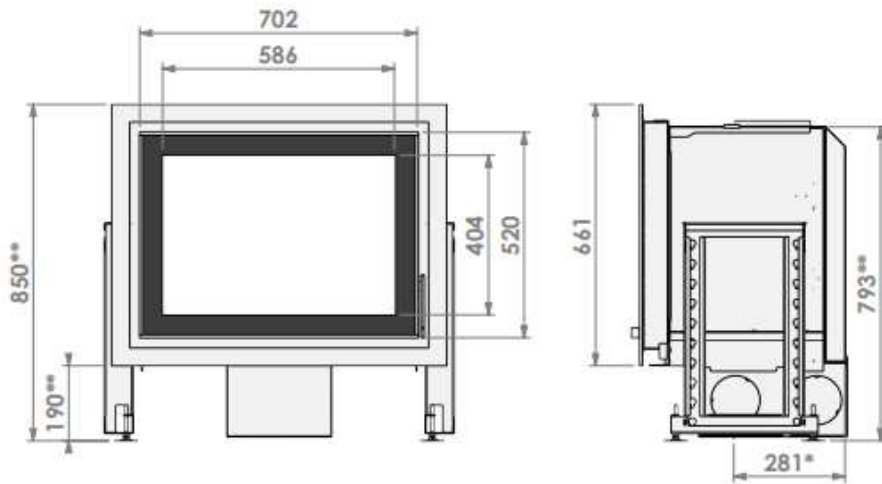
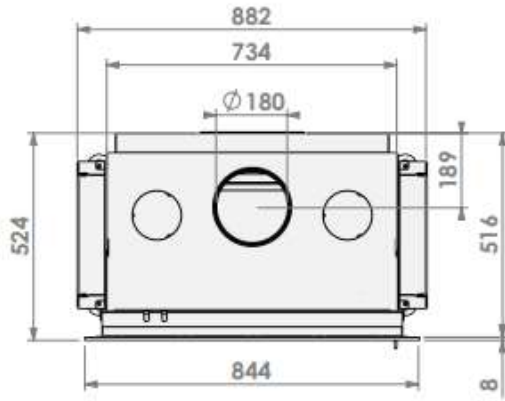
Cuatro-7 75-60

Modifications reserved



Scale: 1:15  
 Unit: mm

0



inbouw, klassiek kader, Opti-Air en/of ventilator  
 built-in, classic frame, Opti-Air and/or fan

\* = optional air inlet  $\varnothing$  125 mm

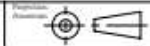
\*\* = optional extended adjustable legs, max +150 mm

**barbas**

Barbas Bellfires B.V.  
 Hallenstraat 17  
 5531 AB Bladel  
 The Netherlands  
 www.barbasbellfires.com

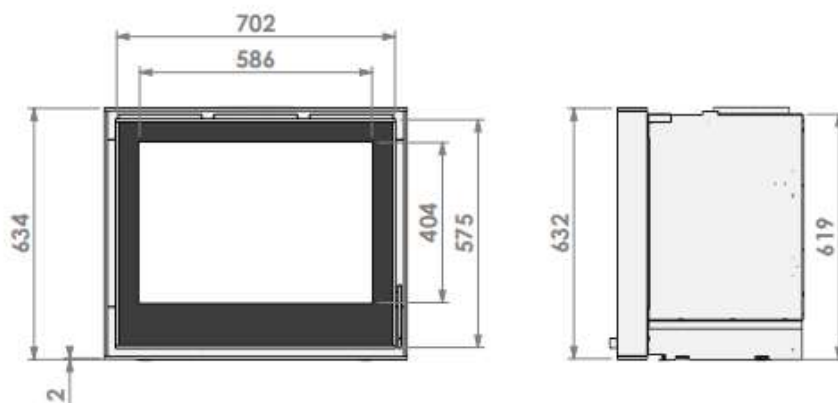
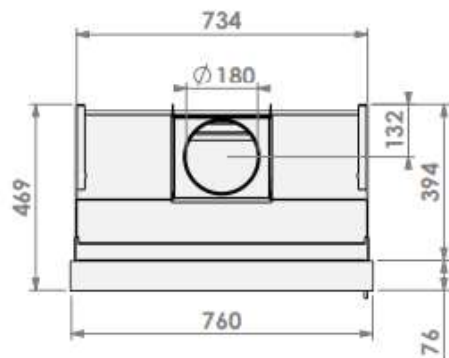
Cuatro-7 75-60

Modifications reserved



1:15  
 mm

0



inzet, opbouw kader  
 inset, surface-mounted frame

\* = air inlet  $\varnothing$ 125 mm

**barbas**

Barbas Bellfires B.V.  
 Hallenstraat 17  
 5531 AB Bladel  
 The Netherlands  
 www.barbasbellfires.com

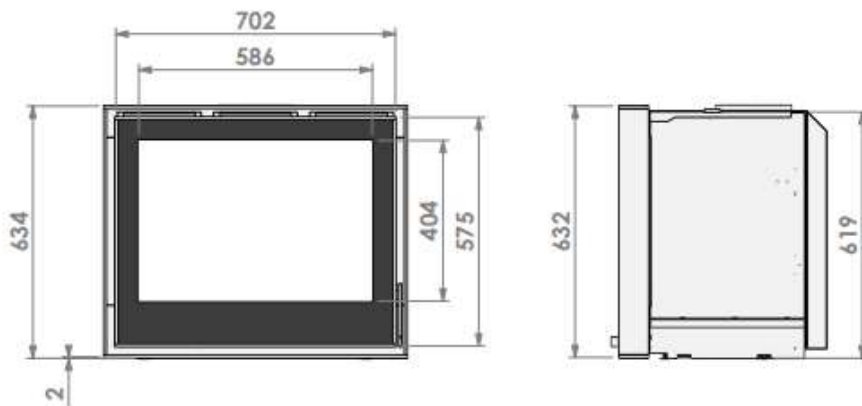
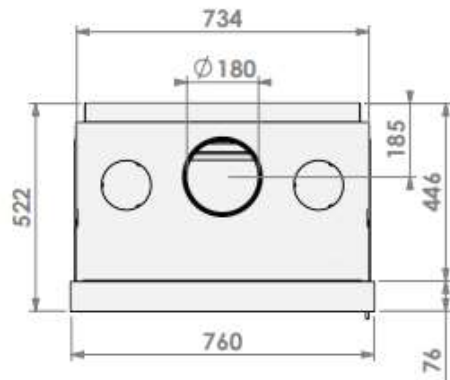
Cuatro-7 75-60

Modifications reserved



1:15  
 mm

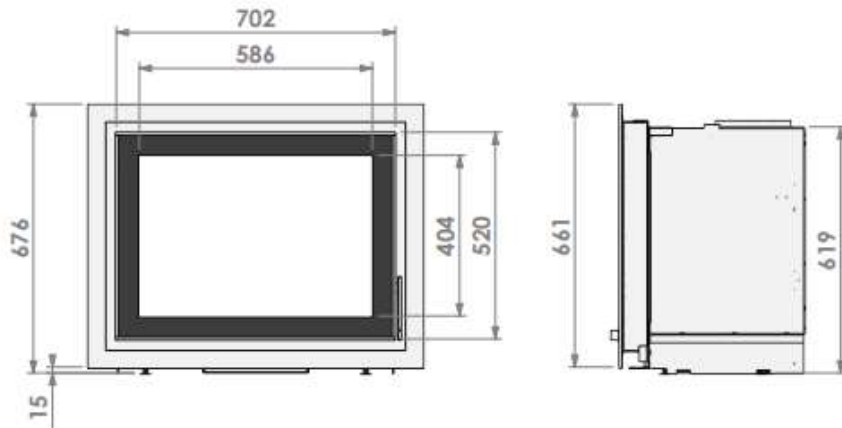
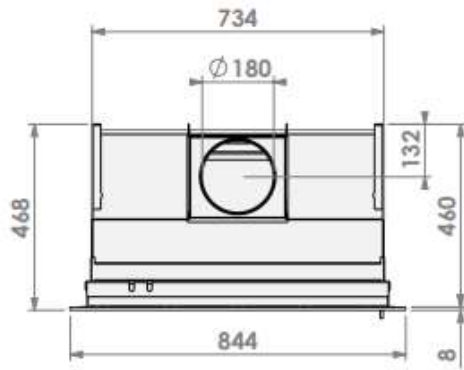
0



inset, opbouw kader, convectie  
 inset, surface-mounted frame, convection casing

\* = air inlet Ø 125 mm

<b>barbas</b>	Barbas Bellfires B.V. Hellenstraat 17 5531 AB Bladel The Netherlands <a href="http://www.barbasbellfires.com">www.barbasbellfires.com</a>	<b>Cuatro-7 75-60</b>		
		Modifications reserved		<b>1:15</b> mm



inzet, klassiek kader  
 inset, classic frame

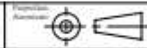
\* = air inlet  $\varnothing$ 125 mm

**barbas**

Barbas Bellfires B.V.  
 Hallenstraat 17  
 5531 AB Bladel  
 The Netherlands  
 www.barbasbellfires.com

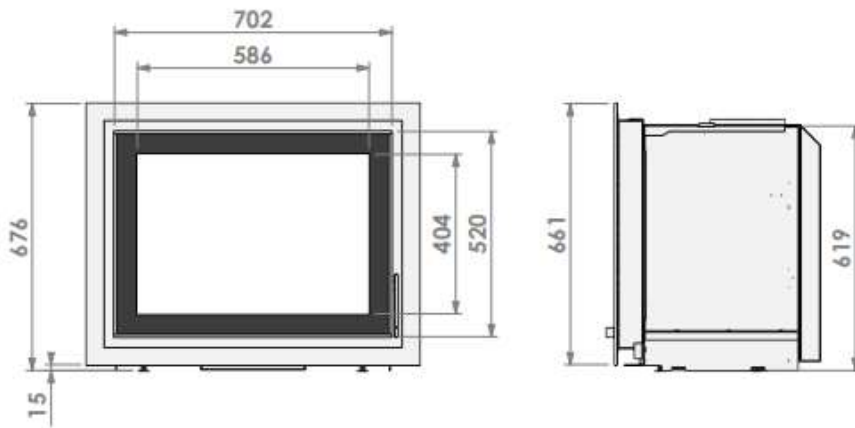
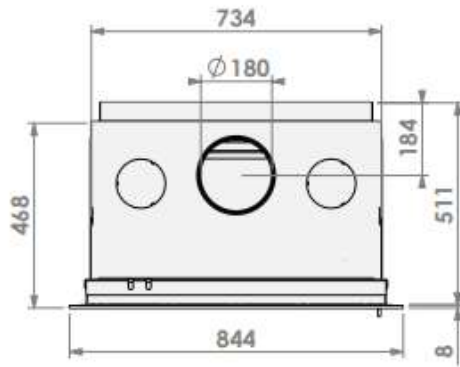
Cuatro-7 75-60

Modifications reserved



1:15  
 mm

0



inzet, klassiek kader, convectie  
 inset, classic frame, convection casing

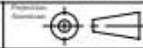
\* = air inlet  $\varnothing$  125 mm

**barbas**

Barbas Belfires B.V.  
 Hallenstraat 17  
 5531 AB Bladel  
 The Netherlands  
 www.barbasbelfires.com

Cuatro-7 75-60

Modifications reserved



1:15  
 mm

0